



Exel Composites
991 Mountain Highway, Boronia, Vic, 3155
P.O. Box 72, Bayswater, Vic, 3153
Phone: 61 03 8727 9600 Fax: 61 03 8727 9688
Email – office.melbourne@exel.net Web site – www.exel.net
ABN: 41 005 952 698

Developing Tomorrow's Materials Today



FIBREGLASS TYPE 4 TUBULAR GUARDRAIL SYSTEM



Pacific Composites fibreglass guardrails are manufactured to Australian Standards and the materials conform to Australia quality standards AS1657-1992.

The fibreglass guardrails are manufactured using high strength E-glass rovings and a range of premium grade thermosetting resin which is fire retardant and U.V. inhibited. It is corrosion resistant, light weight, high strength, low conductivity and easy to assemble. Available in safety yellow colour.

Product Features

Guardrails are made from 50 x 3.5mm tube in 3 metre length and can be cut to suit your requirements. Our standard 3 metre modular guardrail features intermediate railing connection that allows for expansion of guardrail sections. It is available in knock-down form for easy transportation and installation. Guardrails could be used in numerous applications where corrosion resistance and requirement for light weight maintenance free construction are crucial to end users.

Benefits

- Corrosion Resistance
- Lightweight
- Easy to install
- Cost effective
- Easy maintenance
- Fire retardant & UV inhibited
- Tested in accordance to Australian standards



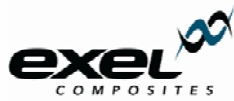
Handrails in knock-down form



Assembled at site for installation

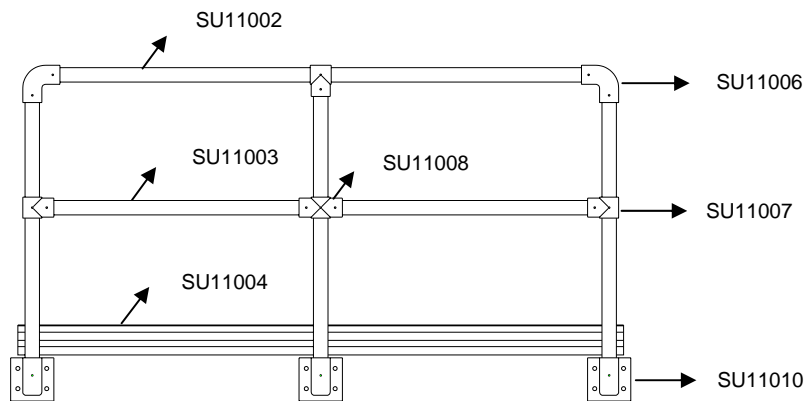


Handrails at Dampier Salt site

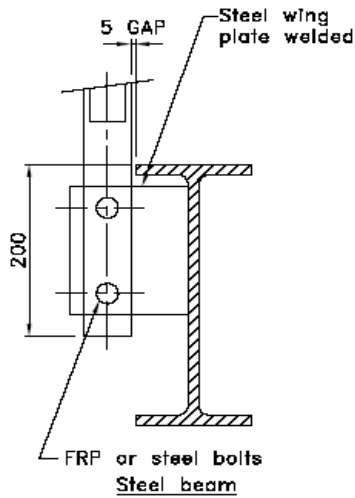
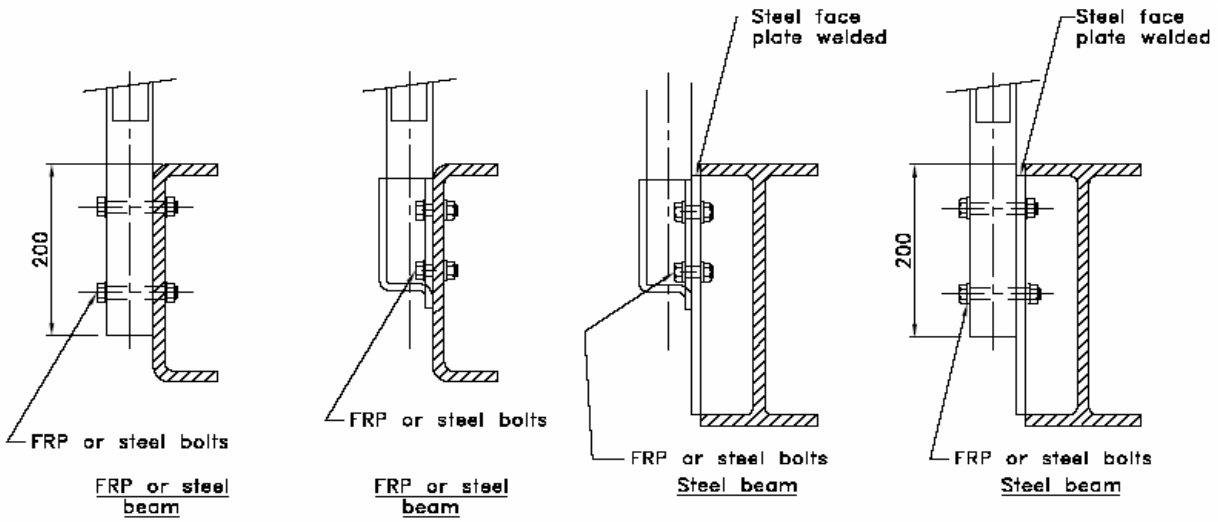


COMPONENTS LIST

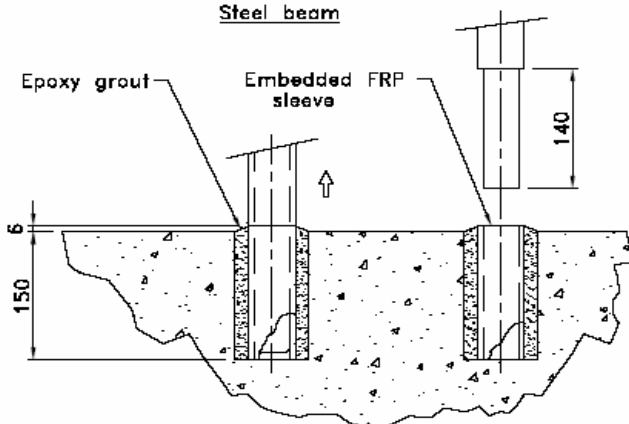
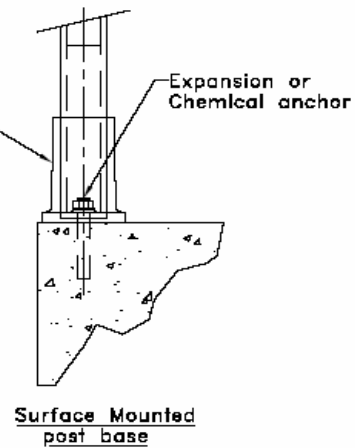
PC Code	Description
SU11002	Top Rail, Ø 50 x 3.5mm tube 2997mm long
SU11003	Mid Rail, Ø 50 x 3.5mm tube, @ 1446mm long
SU11004KIT	Kick plate, 100 x 13mm corrugated profile, @4500mm long c/w M8x 85mm fastener kit SS 316
SU11005KIT	Kick plate splicer plate, 75x4mm x 130mm plate c/w M6 x 20mm fastener kit SS 316
SU11016KIT	90° kick plate, 55 x 1.6 x 75mm c/w M6 x 20mm fastener kit SS 316
SU11006KIT	90° Elbow Connector c/w fastener kit in SS 316
SU11007KIT	Tee Connector c/w fastener kit in SS 316
SU11008KIT	Cross Connector c/w fastener kit in SS 316
SU11009	Top rail joiner, Ø 43 x 4mm tube @ 120mm long
SU11011KIT	Stanchion post Ø 50x3.5 tube @1200mm long c/w 300mm inner tube support member and Surface Mounting Bracket
SU11010KIT	Stanchion post Ø 50x3.5mm tube @1200mm long c/w 300mm inner tube support member & 12 gauge x 25mm recess self tapping screw and Side Mounted Socket
SU11015	Connector fastener kit in SS 316
SU11011	Surface Mounting Bracket
SU11010	Side Mounting Socket
SU11014	M8 x 85mm fastener kit



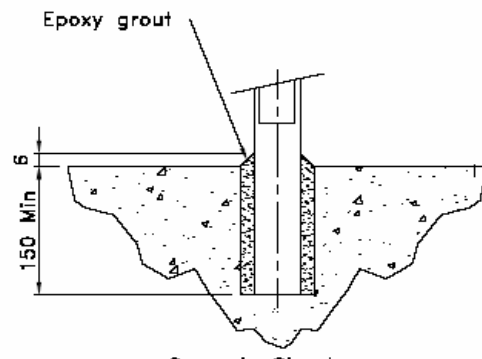
Schematic view of 3 metre module



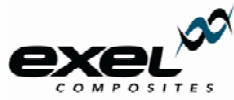
SURFACE MOUNTING BRACKET (SU11011)



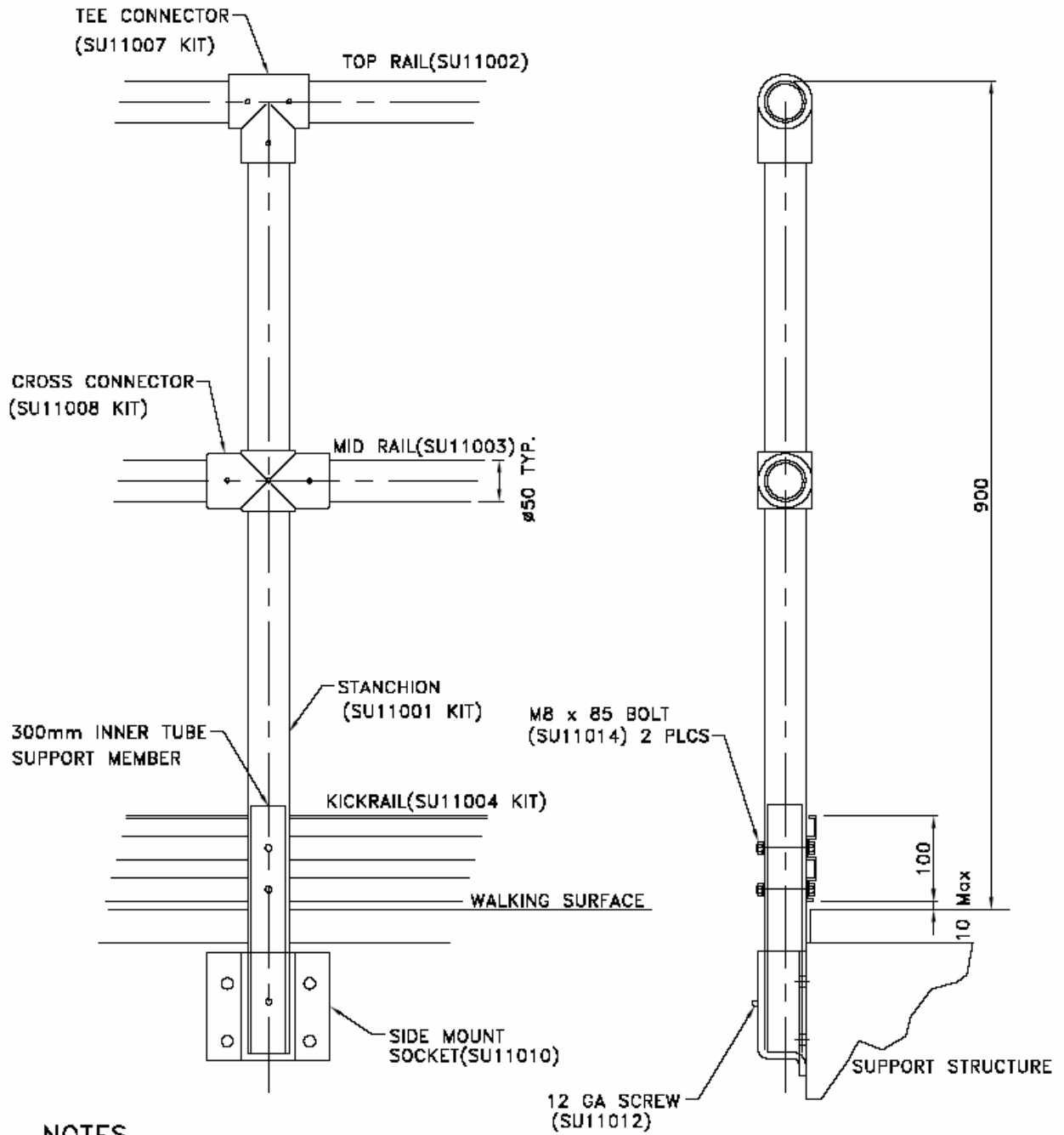
Removable post concrete structures



Concrete Structures

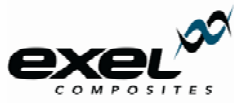


INSTALLATION DETAILS

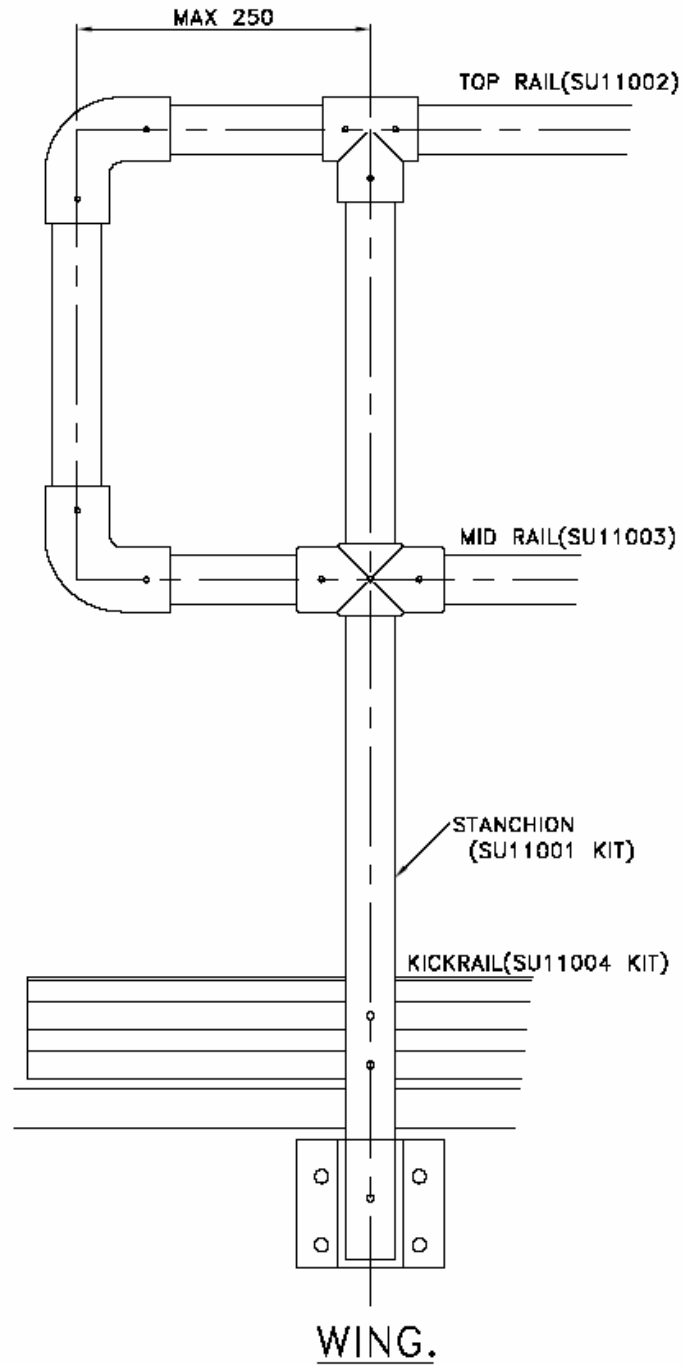
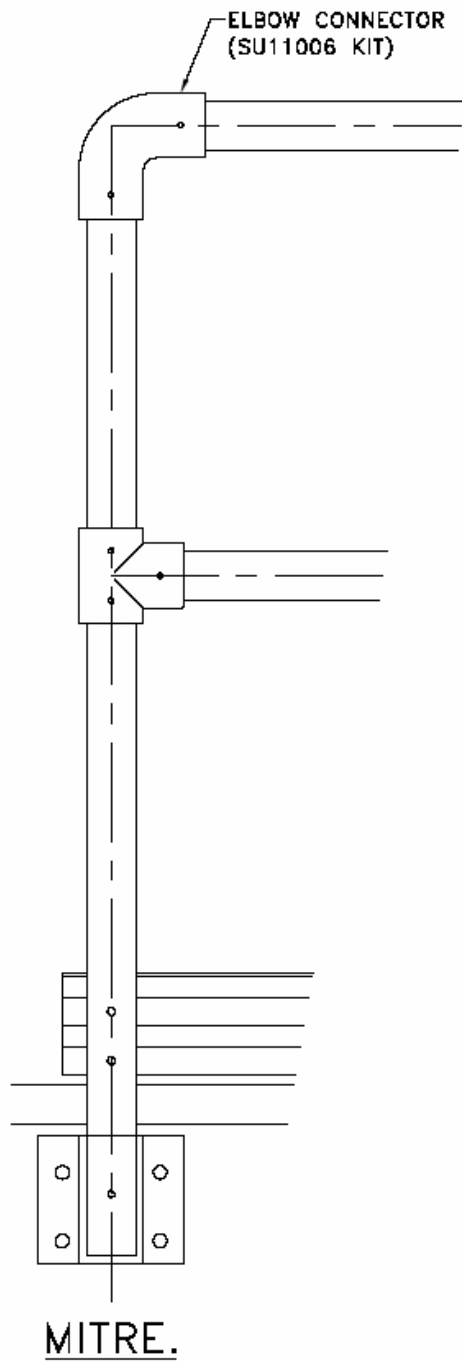


NOTES.

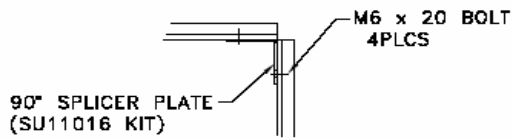
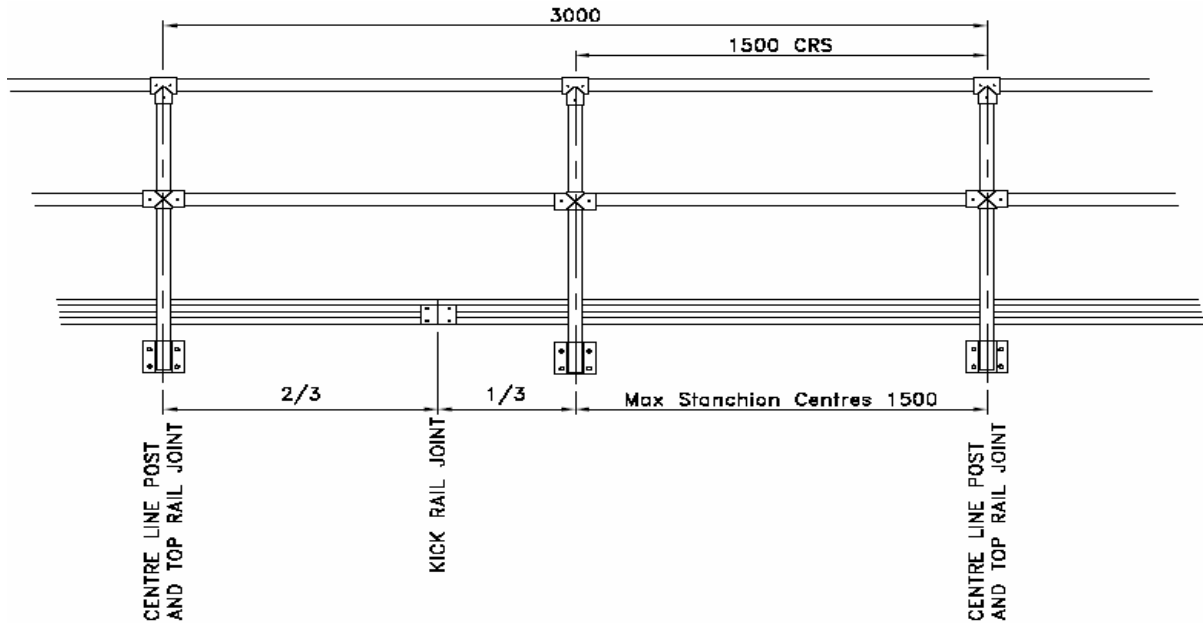
1. MAXIMUM STANCHION SPACING 1500mm



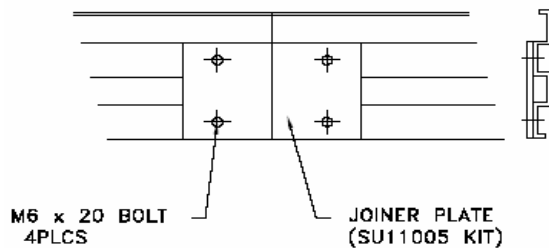
INSTALLATION DETAILS



TYPICAL END POST DETAILS.

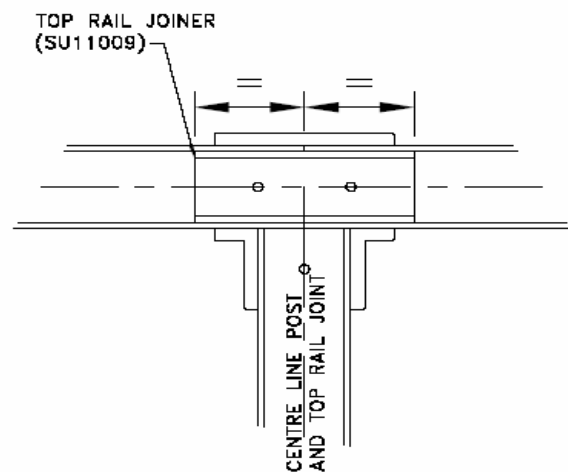


KICK RAIL CORNER JOINT



KICK RAIL JOINT

View on rear of kick rail



TOP RAIL JOINT

Epoxy bond joiner internally in to one half of top rail prior to assembly.